

# Precision Micro Mist Filter /M600

## Standard type

- Nominal filtration rating 0.01 $\mu$ m.
- Capable of eliminating ultrafine particles, oil, water, and other solid impurities with high efficiency to help prevent air compressor damages.
- Easy to use, convenient to repair.
- Minimal pressure loss with high efficacy.
- Diverse ways to discharge water: automatic drain, drainmaster, spring drain, manual water drain.

## JIS Symbol



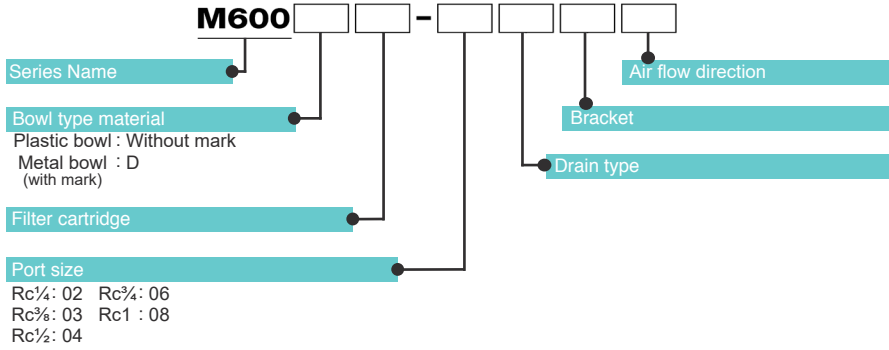
M600-02




M600D-06

## Specifications

Model No.		Unit	M600-02, 03, 04	M600-06, 08
Port size			Rc $\frac{1}{4}$ , $\frac{3}{8}$ , $\frac{1}{2}$	Rc $\frac{3}{4}$ , 1
Maximum operating pressure	Plastic bowl	MPa[kgf/cm <sup>2</sup> ]	1 (10)	—
	Metal bowl (with mark)	MPa[kgf/cm <sup>2</sup> ]	1.4 (14)	1.4 (14)
Proof pressure	Plastic bowl	MPa[kgf/cm <sup>2</sup> ]	1.5 (15)	—
	Metal bowl (with mark)	MPa[kgf/cm <sup>2</sup> ]	2.1 (21)	2.1 (21)
Operating temperature range	Plastic bowl	°C	5~50	—
	Metal bowl (with mark)	°C	5~65	5~65
Nominal filtration rating		$\mu$ m	0.01	
Capacity of filter bowl		cc	80	220
Reference Max. Flow	Standard	l/min (ANR)	283	1415
	Lengthened	l/min (ANR)	566	—
Weight		kg	0.52	2.63




 • When the mark on the bowl is omitted, with Port size of 02~04 the suggested bowl material is plastic bowl, and with Port size of 06~08 the suggested bowl material is metal bowl (with mark).  
 • Please refer to symbol specification table and option table.

F.R.L

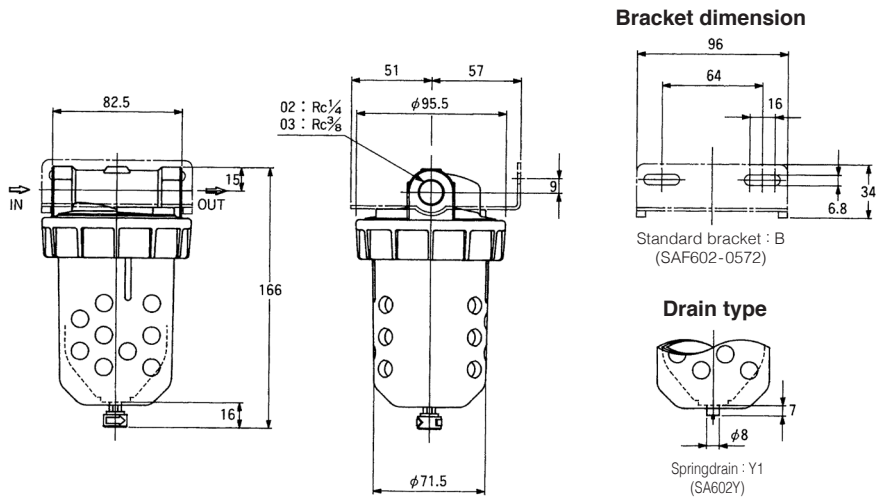
**Option**

Model No.	Mark	M600-02, 03	M600D-02, 03, 04	M600DF-02, 03, 04	M600D-06, 08
Bowl type material		Platic bowl	Metal bowl (with mark)		
Filter cartridgel		Standard		Lengthen	Standard
Drain type	Manual	Without mark	⊙	⊙	
	Spring drain	Y1	○	○	
	Automatic drain	M1	—	○	
Bracket	Standard	B	○		—
Air flow direction	Left to Right	Without mark	⊙		
	Right to Left	R	○		

⊙ Standard ○ Option

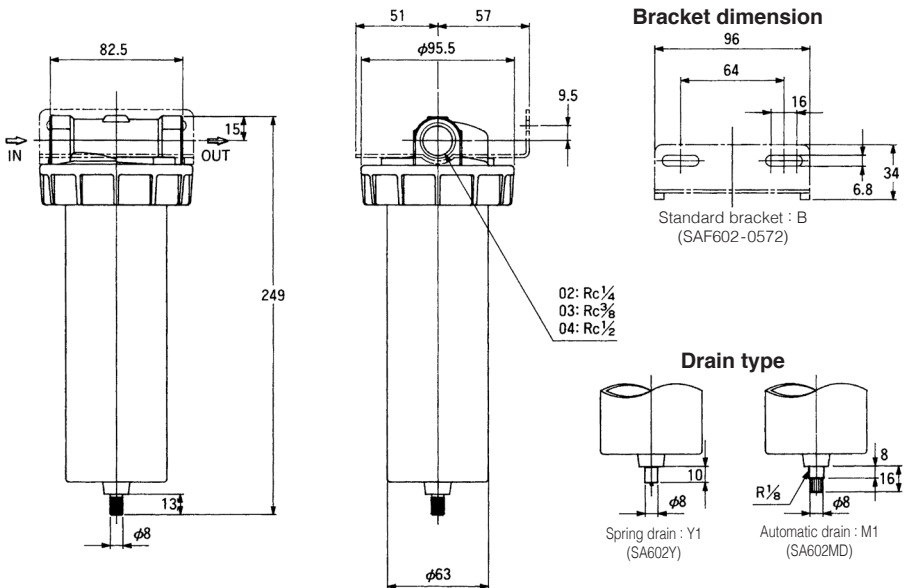
M600-02, 03

(Unit : mm)



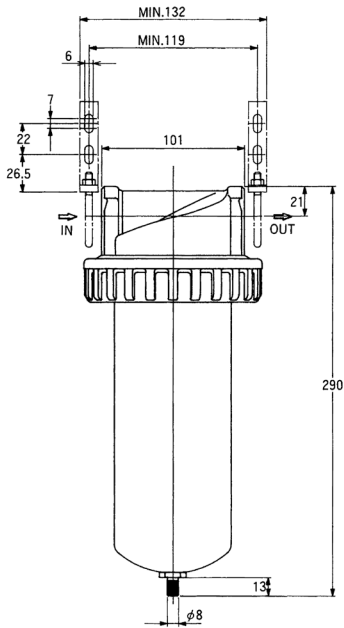
M600D-02, 03, 04/M600DF-02, 03, 04

(Unit : mm)



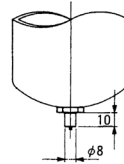
M600D-06, 08

(Unit : mm)

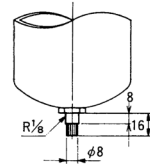


06 : Rc $\frac{3}{4}$   
08 : Rc1

Drain type



Spring drain : Y1  
(SA602Y)



Automatic drain : M1  
(SA602MD)

FRL