

RK50 Series

5-Port Pilot Operated Solenoid Valve
Rubber Seal/In-line Mounting type

RKS2450

2-position, single solenoid

RKD2450

2-position, double solenoid

RKD3450

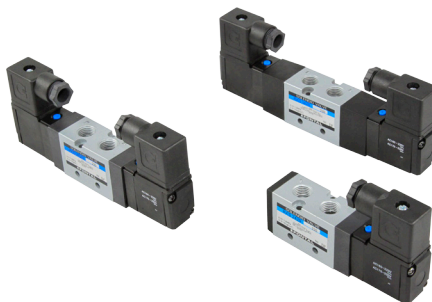
3-position, closed center

RKE3450

3-position, ABR connect

RKO3450

3-position, PAB connect



Specifications

Model No.	Unit	RKS2450	RKD2450	RKD3450	RKE3450	RKO3450
Fluid		Non-lubricated/lubricated air				
Port size		RC $\frac{3}{8}$				
Effective area	mm ²	45		36		
Cv value		2.5		2.0		
Operating ambient temperature	°C	-5 ~ 50				
Pressure range	MPa	0.15 ~ 1.0	0.1 ~ 1.0	0.15 ~ 1.0		
Maximum frequency	cycle/min	300		180		
Response time	s	0.030		0.050		
Pilot air exhaust		Individual exhaust				
Manual override		Non-locking push button				
Mounting position		Free				
Shock resistance/Vibration resistance	m/s ²	150/30				
Weight	g	350	450	550	550	550



- Supply complete-dry air to avoid freezing when temperature of valve site falls below 5°C

RK, PK

Electrical Specifications

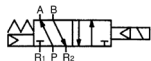
Rated voltage	V	AC110, 220(50/60Hz), DC24		
Permissible voltage fluctuation	%	-15 ~ +10		
Power consumption	AC	Holding	VA	4.5(50Hz), 3.8(60Hz)
		Inrush	VA	5.6(50Hz), 5.0(60Hz)
	DC	W	1.8	
Grade of insulation		JIS grade E		
Wiring		Lead wire, DIN connector		
Indicator light		LED		

RK S24 50 — 03 — D24 L

Model No.

S24

2-position, single solenoid



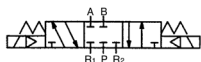
D24

2-position, double solenoid



D34

3-position, closed center



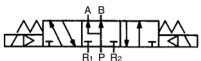
E34

3-position, ABR connect



O34

3-position, PAB connect



Wiring

L : Lead wire
D : DIN connector
DK : DIN connector with indicator light

Voltage

110: AC110V
220: AC220V
D24: DC24V

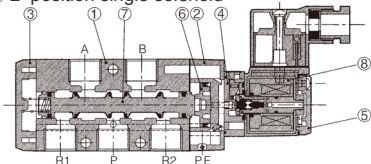
Port size

(Port P)
03: RC $\frac{3}{8}$

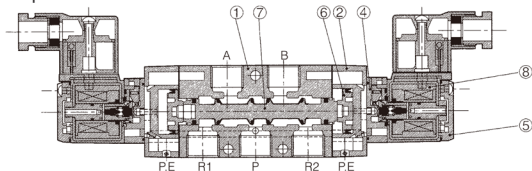
※ : Made to order

Construction

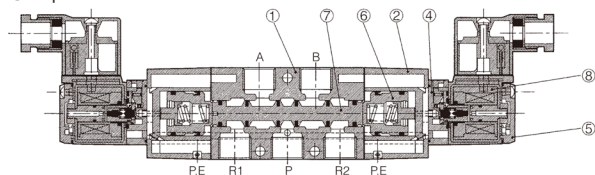
◎ 2-position single solenoid



◎ 2-position double solenoid



◎ 3-position double solenoid



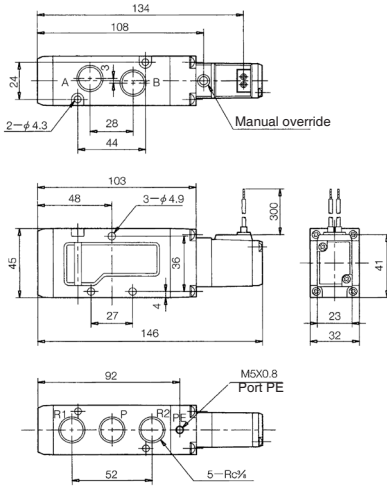
No.	Description	Material
1	Body	Aluminium die casting
2	Adapter	Aluminium die casting
3	End cover	Aluminium die casting
4	Pilot body	Polyacetal
5	Pilot cover	Plastic
6	Piston	Polyacetal
7	Spool	Aluminium • NBR
8	Coil ass'y	

RK, PK

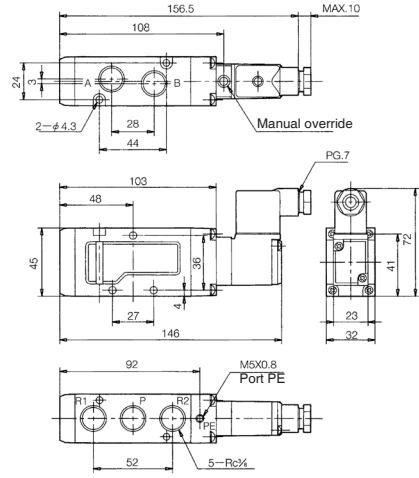
RKS2450

(Unit: mm)

Lead wire type



DIN connector type

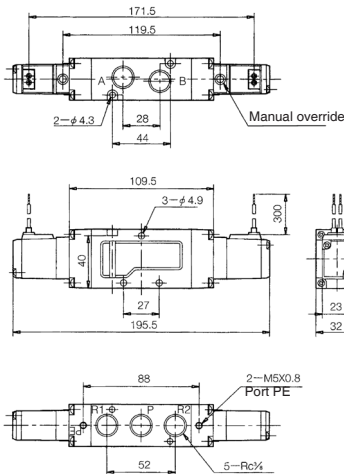


RK, PK

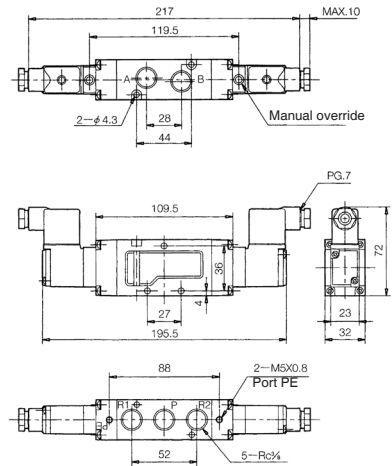
RKD2450

(Unit: mm)

Lead wire type



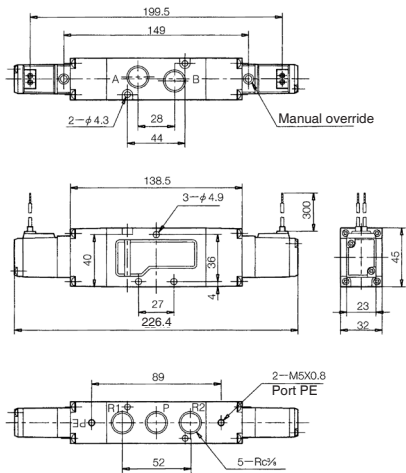
DIN connector type



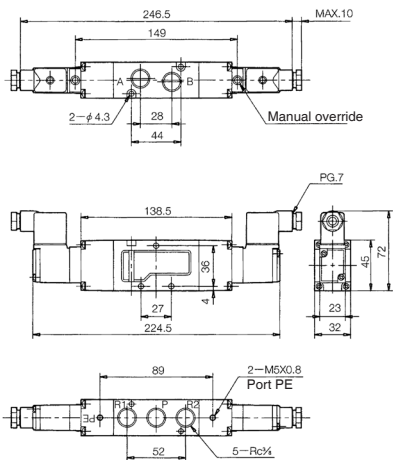
RKD3450, RKE3450, RKO3450

(Unit: mm)

Lead wire type

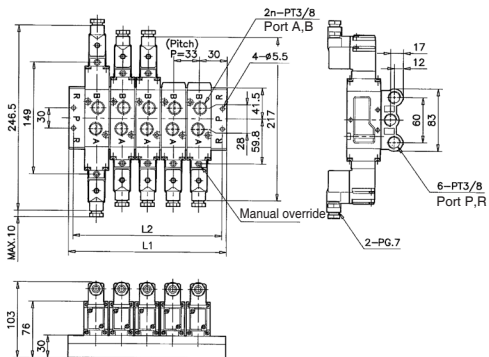
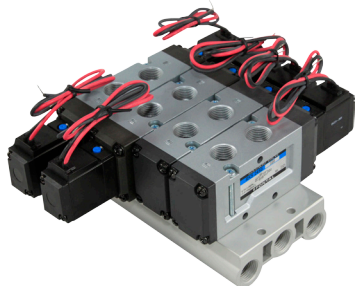


DIN connector type



MFU□ - RK50

(Unit: mm)



© When the amount of manifolds is greater than 8 rows, supply air from hole P on both sides, and discharge air from hole R on both sides.

L \ N	2	3	4	5	6	7	8	9	10
L ₁	93	126	159	192	225	258	291	324	357
L ₂	80	113	146	179	212	245	278	311	344