

PCL13, RCL13 Series

Port Pilot Operated Latching Solenoid Valve
 Rubber Seal/Sub-base, In-line Mounting Type

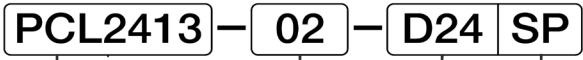
PCL2413
 2-position, Latching solenoid
RCL2413
 2-position, Latching solenoid



Specifications (Standard)

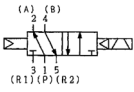
Model No.		Unit	PCL2413	RCL2413	
Fluid			Non-lubricated/lubricated air		
Port size			RC $\frac{1}{4}$	RC $\frac{1}{8}$	
Effective area		mm ²	12(0.66)	12.5(0.69)	
Operating ambient temperature		°C	-5 ~ 50		
Minimum operating pressure		MPa	0.15		
Pressure range		MPa	0.2 ~ 0.7		
Maximum frequency		cycle/min	240		
Response time	L type	ON	s	0.025	
		OFF		0.025	
	SP type	ON		0.025	
		OFF		0.025	
Min.energizing time		s	0.05		
Rated voltage		V	DC24		
Permission voltage fluctuation		%	+10, -15		
Power consumption		W	1.8		
Grade of insulation			JIS grade B		
Wiring			Lead wire(L),Connector with lead wire(SP)		
Mass	L&SP type	NB	g	95	—
		RC $\frac{1}{8}$		—	90
		RC $\frac{1}{4}$		179	—

Note: Supply complete-dry air to avoid freezing when temperature of valve site falls below 5°C

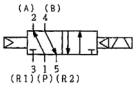


Model No.

PCL2413



RCL2413



Wiring

L : Lead wire
SP: Connector with lead wire

Voltage

D24: DC24V

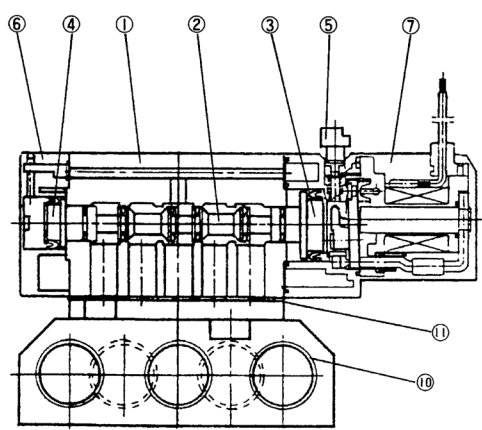
Port size

01 : RC $\frac{1}{8}$ (RCL2413 only)
02 : RC $\frac{1}{4}$ (PCL2413 only)
NB : Without sub-base

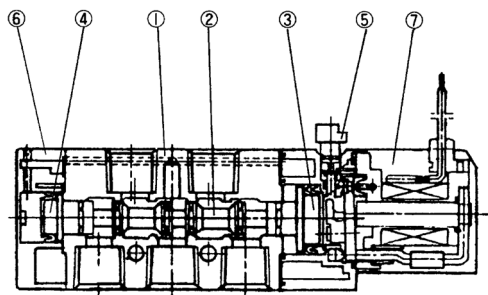
Optional Parts and Spare parts

Parts Name	Model No.
Sub-base	PC13-SB-502
Connector with lead wire (Length 500)	PCL5-D24-CL5(Standard)

PCL2413



RCL2413

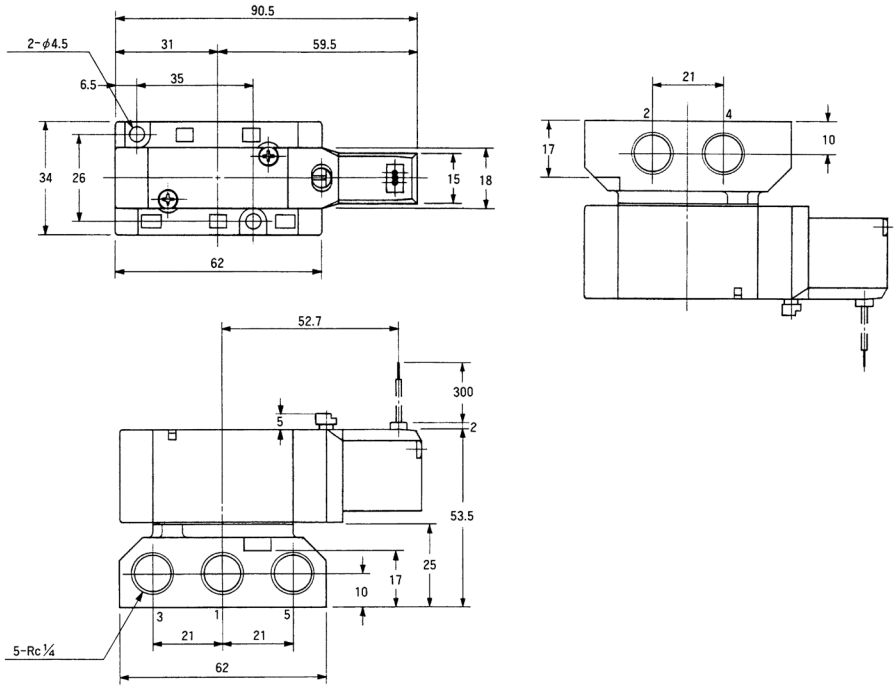


Main Components

No.	Description	Material
1	Body	Aluminium alloy
2	Spool assembly	—
3	Piston D	Synthetic resin
4	Piston S	Synthetic resin
5	Manual override	Synthetic resin
6	End cover	Synthetic resin
7	Pilot valve	—
8	Sub-base	Aluminium die-casting
9	Base gasket	NBR

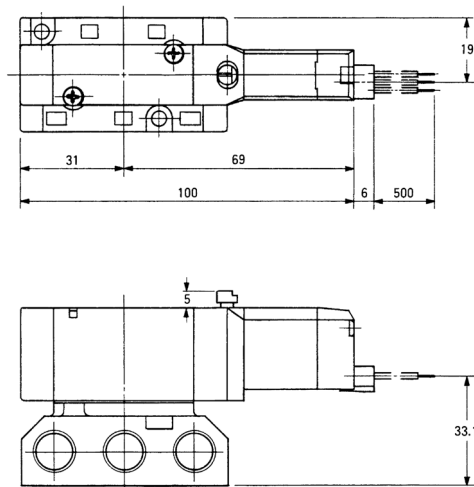
PCL2413(L type)

(Unit: mm)



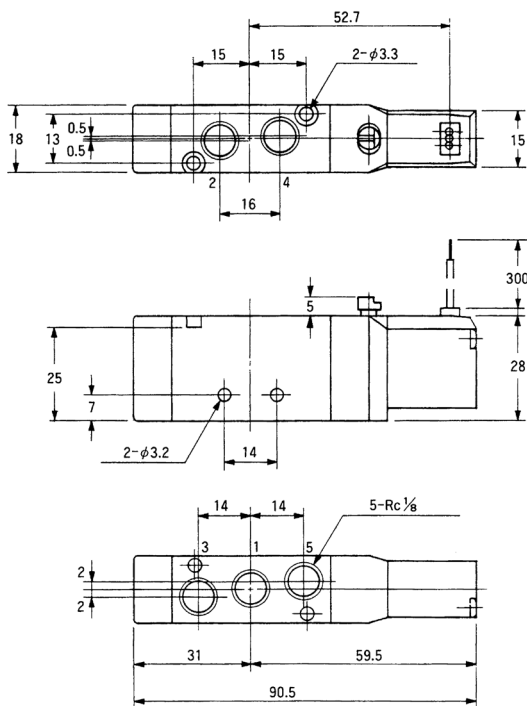
PCL2413(SP type)

(Unit: mm)



RCL2413(L type)

(Unit: mm)



RCL2413(SP type)

(Unit: mm)

