

A08 Series

3/5-Port Direct Operated Solenoid Valve
Metal Seal, In-line mounting/Sub-base Mounting type

AS2308

3□2-position, single solenoid

AS2408

5□2-position, single solenoid

AD2408

5□2-position, double solenoid

AD3408

5□3-position, closed center

ADE3408

5□3-position, ABR connect



Specifications

Model No.		Unit	AS2308	AS2408	AD2408	AD3408	ADE3408
Fluid			Non-lubricated/lubricated air				
Port size			Rc¼, ⅝				
Effective area		mm ²	22	30	30	25	25
CV value			1.19	1.63	1.63	1.36	1.36
Operating ambient temperature		°C	-5~60				
Operating pressure range		MPa	-0.1~1				
Maximum frequency		cycle/min	400	400	400	250	250
Response time (at 0.5MPa)		^s (average)	0.013	0.015	0.01	0.015	0.015
Rated voltage		V	AC/110, 220				
Grade of insulation			JIS grade B				
Permission voltage fluctuation		%	±10				
Rated frequency		Hz	50/60				
Apparent power	AC	Activation	50Hz	VA	25		25
			60Hz	VA	14		14
		Continuous	50Hz	VA	130		170
			60Hz	VA	110		140
Mass		kg	0.7	1.0	1.4	1.5	1.5

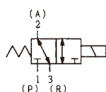


- Supply complete-dry air to avoid freezing when temperature of valve site falls below 5°C
- Response time shown above is in accordance with JIB B 8375
- Effective area shown above is a value between ports 1 and 2, 4

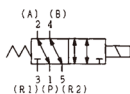
AS2408 - **02** - **110** **P**

Model No.

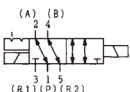
AS2308



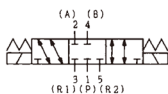
AS2408



AD2408



AD3408



ADE3408



Versions

No mark : Standard

I : With indicator light

K : With surge suppressor

P : With indicator light & surge suppressor

Voltage

110: AC110V

220: AC220V

Port size

02: Rc $\frac{1}{4}$

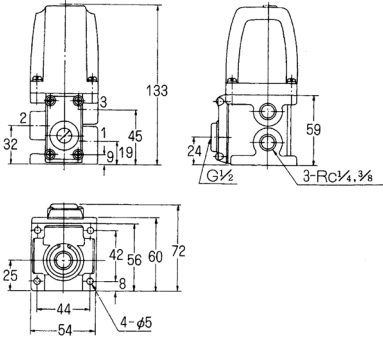
03: Rc $\frac{3}{8}$

Optional Parts and Spare Parts

Parts Name		Model No.
Solenoid unit for 2-position	AC110V	A08-10510
	AC220V	A08-20520
Solenoid unit for 3-position	AC110V	A08-10910
	AC220V	A08-20920
Sub-base	Rc $\frac{1}{4}$	A08-SB-02
	Rc $\frac{3}{8}$	A08-SB-03
Base gasket		A08-G
Spring	For 2-position	A08-SS
	For 3-position	A08-3S

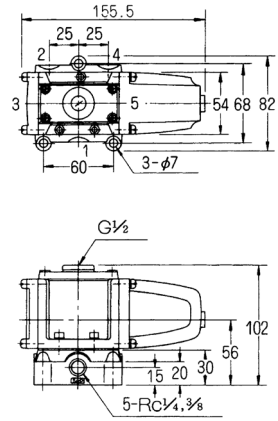
AS2308

(Unit: mm)



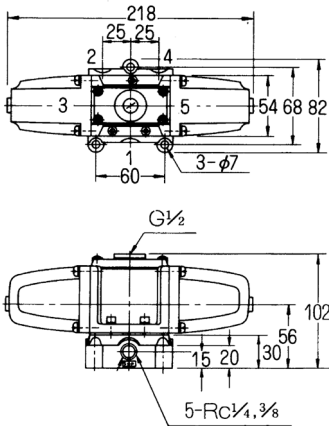
AS2408

(Unit: mm)



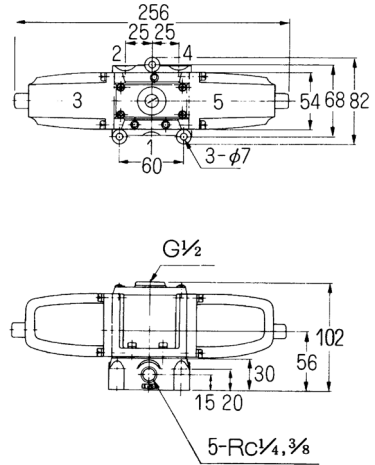
AD2408

(Unit: mm)



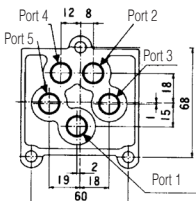
AD3408, ADE3408

(Unit: mm)



Bottom porting

(Unit: mm)



Port size: Rc1/4
Bottom porting is made to order