

Fitting

Tube fitting for speed piping

Order code

FPC **6** - **01G**

① ② ③

① Model

② Piping bore (∅ D)

	Metric (MM)					
Number	4	6	8	10	12	16
Size	∅4	∅6	∅8	∅10	∅12	∅16

③ Stroke B(mm)

	Metric thread		
Number	M3	M5	M6
Size	M3×0.5	M5×0.8	M6×1.0

	Leaning thread (PT)			
Number	01	02	03	04
Size	PT 1/8	PT 1/4	PT 3/8	PT 1/2

	Perpendicular thread (PF)			
Number	01G	02G	03G	04G
Size	G 1/8	G 1/4	G 3/8	G 1/2

Packaging: 10 unit/bag

- Joint can be used on pneumatic piping (can be used under water with certain restriction)
- Joints may be applied versatily with corresponding pneumatic piping in different kind of circumstances
- Angles of the joints may be freely adjusted even upon installation

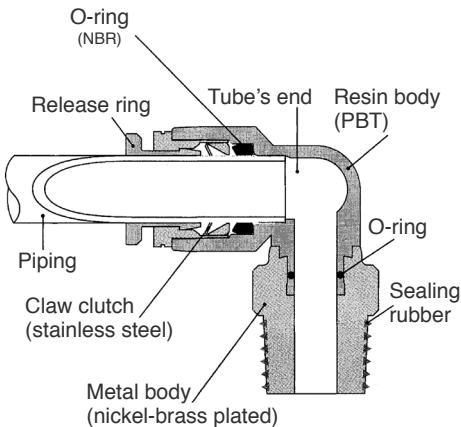
Specifications

Fluid	Air, vacuum, water *(restriction)
Operating pressure range	0~9 kgf/cm ² (0~900 kpa)
Operating vacuum pressure	-750 mmHg(10 Torr)
Operating temperature range	0~60°C

Restriction for under-water usage

- Operating temperature within 0~60°C
- Operating pressure within 0~3.2 kgf/cm²
- Be sure that the piping and the joint are well-connected.

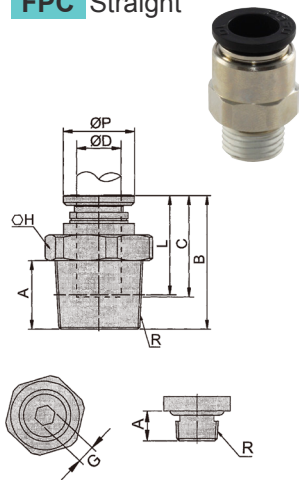
Structure



Tube Fitting(Black)

(Unit: m/m)

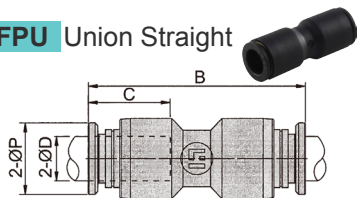
FPC Straight



Metric thread type

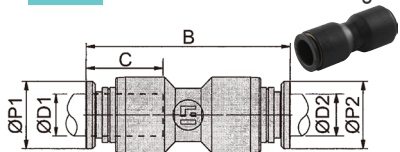
Model	Tube dia. ∅ D	∅ P	A	R	H	L	C	B	G	Weight	Orifice	
FPC4-M5	4	8	3.5	M5x0.8	8	12.4	15.9	17.6	3	3.2	3	
FPC4-M6			3.9	M6x1.0	10		12.5	18.1	3	4.6	3	
FPC4-01			7	PT 1/8	10		12.8	16.3	3	5.6	3	
FPC4-02			9.6	PT 1/4	14		12.9	17.7	3	12.8	3	
FPC6-M5	6	10	3.5	M5x0.8	8	14.2	17.6	19.4	2	4.6	2	
FPC6-M6			3.7	M6x1.0	10		14.3	18.5	3	4.8	3	
FPC6-01			7	PT 1/8	10		15.8	19.3	4	5.6	4	
FPC6-02			9.6	PT 1/4	14		13.9	18.7	4	11.6	4	
FPC6-03	6	10	9.6	PT 3/8	17	18.5	14.9	19.7	4	22.8	4	
FPC8-01			7	PT 1/8	14		24	27.5	5	12	5	
FPC8-02			9.6	PT 1/4	14		20.3	24.2	6	13.2	6	
FPC8-03			9.6	PT 3/8	17		19.4	24.2	6	22.2	6	
FPC8-04	8	13.6	12	PT 1/2	21	20.6	19.2	25.2	6	40.4	6	
FPC10-01			7	PT 1/8	17		26.1	29.6	5	19.4	5	
FPC10-02			9.6	PT 1/4	17		20.3	24.3	7	20	7	
FPC10-03			9.6	PT 3/8	17		15.7	21	25.8	8	21.2	8
FPC10-04	10	16.7	12	PT 1/2	21	20.6	19.9	25.9	8	37	8	
FPC12-02			9.6	PT 1/4	21		30	34.8	—	35	7	
FPC12-03			9.6	PT 3/8	21		23.2	27.4	32.2	—	32.4	9
FPC12-04			12	PT 1/2	21		26.2	32.2	—	40.2	9	

FPU Union Straight



Model	Tube dia. ∅ D	C	B	∅ P	Weight	Orifice
FPU4	4	13.2	27.8	8	2.6	3.3
FPU6	6	13.8	30.4	10	4.2	4.7
FPU8	8	19	39	13.6	8.2	6.7
FPU10	10	20.4	42.8	16.7	13.6	8.5
FPU12	12	22.6	47	19.6	18.8	10.5

FPG Different Diam. Union Straight



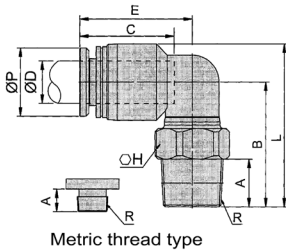
Model	Tube dia. ∅ D1	Tube dia. ∅ D2	C	B	∅ P1	∅ P2	Weight	Orifice
FPU6-4	6	4	13.2	27.8	10	8	2.6	3
FPU8-6	8	6	13.8	30.4	13.6	10	4.2	4.5
FPU10-8	10	8	19	39	16.7	13.6	8.2	6
FPU12-10	12	10	20.4	42.8	19.6	16.7	13.6	8.5

ADD

Tube Fitting(Black)

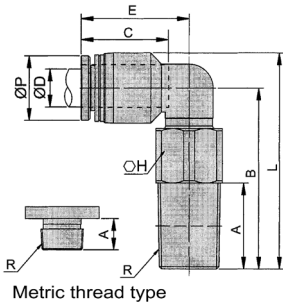
(Unit: m/m)

FPL Elbow



Model	Tube dia. Ø D	A	B	L	Ø P	C	E	H	R	Weight	Orifice
FPL4-M3	4	3	13.6	17	8	13.7	15.5	8	M3x0.5	3	1.1
FPL4-M5		4	13.3	17		13.7	15.5	8	M5x0.8	3.2	2
FPL4-M6		4	16.2	20.5		13.7	15.5	10	M6x1.0	4.6	2.5
FPL4-01		9.6	20	24		13.7	15.5	10	PT 1/8	6.4	4
FPL4-02		7	17.2	21		13.7	15.5	14	PT 1/4	15.2	4
FPL6-M5	6	4	14.1	19	10	13.8	16.2	8	M5x0.8	4	2
FPL6-M6		4	15.7	20.6		13.8	16.5	10	M6x1.0	5.4	2.5
FPL6-01		7	18.3	23		13.9	16.5	10	PT 1/8	7.4	4
FPL6-02		9.4	21.1	26		14	15.7	14	PT 1/4	16.2	4
FPL6-03	9.8	21.2	26	14	16.1	17	PT 3/8	19.6	4		
FPL8-01	8	7	21.5	28	13.6	20.2	22.6	10	PT 1/8	9.8	5.4
FPL8-02		9.5	22	28.5		20	22.5	14	PT 1/4	16	5.4
FPL8-03		9.3	22.3	29		20.1	22.5	17	PT 3/8	20.6	5.4
FPL10-04	10	11.8	25.2	31.5	16.7	20.1	22.3	21	PT 1/2	33.8	5.4
FPL10-01		6.9	23	31		24.3	27.7	10	PT 1/8	17	5
FPL10-02		9.6	25.2	33		24.1	27.6	14	PT 1/4	18.4	5
FPL10-03		9.4	24.9	33		24.2	27.6	17	PT 3/8	23.6	5
FPL10-04		12	27	35		24.3	27.5	21	PT 1/2	34.8	5
FPL12-02	12	12	23.2	32.5	19.6	24.7	28.2	14	PT 1/4	21.4	5
FPL12-03		9.6	26.6	35		24.9	28.9	17	PT 3/8	26.6	8
FPL12-04		9.6	26	35		25	28.8	21	PT 1/2	37.8	8

FPLL Long Elbow



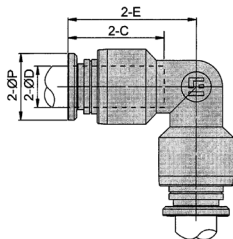
Model	Tube dia. Ø D	A	B	L	Ø P	C	E	H	R	Orifice
FPLL4-M5	4	3.3	23.2	27.5	8	13.7	15.5	8	M5x0.8	2
FPLL4-01		13.5	28.4	32.7		13.7	15.5	10	PT 1/8	4
FPLL4-02		16.1	31.6	35.9		13.7	15.5	14	PT 1/4	4
FPLL6-M5	6	3.3	24.5	30.1	10	13.8	16.2	8	M5x0.8	2
FPLL6-01		13.5	29.7	35.3		13.9	16.5	10	PT 1/8	4
FPLL6-02	16.1	32.9	38.5	14	15.7	14	PT 1/4	4		
FPLL8-01	8	14.5	37	44.4	13.6	20.2	22.6	10	PT 1/8	5
FPLL8-02		18.1	38.1	45.5		20	22.5	14	PT 1/4	5
FPLL8-03		16.6	37.6	45		20.1	22.5	17	PT 3/8	5
FPLL10-02	10	19.6	45.2	54.2	16.7	24.1	27.6	15	PT 1/4	8
FPLL10-03		19.6	45.3	54.3		24.2	27.6	17	PT 3/8	9.8
FPLL10-04		22	47.6	56.6		24.3	27.5	21	PT 1/2	9.8
FPLL12-02	12	19.6	47	57.3	19.7	24.8	28.9	15	PT 1/4	8
FPLL12-03		19.6	47.1	57.4		24.9	28.9	17	PT 3/8	9.2
FPLL12-04		22	49.4	59.6		25	28.8	21	PT 1/2	9.2

ADD

Tube Fitting(Black)

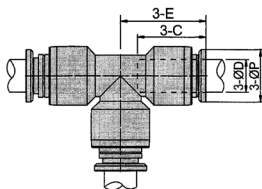
(Unit: m/m)

FPV Union Elbow



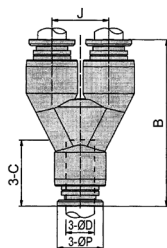
Model	Tube dia. Ø D	E	C	Ø P	Weight	Orifice
FPV4	4	15.5	8	8	2.6	4.1
FPV6	6	19.3	14	10	4.4	4.7
FPV8	8	23	18.8	13.6	8.4	6.6
FPV10	10	25.6	20.6	16.7	14.2	8.5
FPV12	12	30.3	22.8	19.6	20.2	10.5

FPE Union Tee



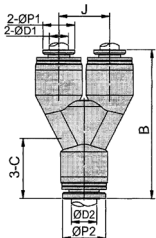
Model	Tube dia. Ø D	E	C	Ø P	Weight	Orifice
FPE4	4	15.5	12.5	8	3.8	4.1
FPE6	6	16.3	13.1	10	6.4	6.1
FPE8	8	23	18.8	13.6	12.4	8.2
FPE10	10	26.2	19.6	16.7	20.8	10.3
FPE12	12	30.1	22.5	19.6	29	12.2

FPY Union Y



Model	Tube dia. Ø D	C	J	B	Ø P	Weight	Orifice
FPY4	4	18.2	9	31.5	8	8	4
FPY6	6	21.9	12	36.2	10	10	7
FPY8	8	27	15.5	46.8	13.6	13.6	13.8
FPY10	10	32.6	19	52.9	16.7	16.7	22.4
FPY12	12	38.4	21	61	19.6	19.6	31.6

FPW Different Dia. Union Y

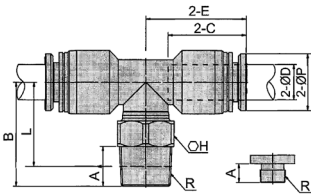


Model	Tube dia. Ø D1	Tube dia. Ø D2	C	J	B	Ø P1	Ø P2	Orifice
FPW6-4	4	6	13.9	12.3	35.1	8	10	3
FPW8-6	6	8	18	16	46.6	10	13.6	4.5
FPW10-8	8	10	20.7	19.3	53.1	13.6	16.7	6
FPW12-10	10	12	23.5	22.1	62.2	16.7	19.6	8.5

Tube Fitting(Black)

(Unit: m/m)

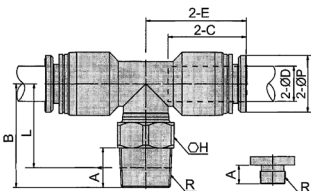
FPB Tee



Metric thread type

Model	Tube dia. Ø D	E	C	Ø P	A	R	H	B	L	Weight	Orifice				
FPB4-M3	4	15.8	14.2	8	3	M3x0.5	8	15.2	13.7	3.2	1.1				
FPB4-M5					4.8	M5x0.8	8	15.7	13.6	4.8	2				
FPB4-M6					4	M6x1.0	10	16.2	14.2	4.4	2.5				
FPB4-01					7	PT 1/8	10	17.4	13.1	7.6	4.2				
FPB4-02					9.6	PT 1/4	14	20	15	16.4	4.2				
FPB4-03					9.6	PT 3/8	17	20	15	19.5	4.2				
FPB6-M5					6	17.7	13.8	10	4.8	M5x0.8	8	17	15.5	6.6	2
FPB6-M6	4	M6x1.0	10	17.5					15.5	5.3	2.5				
FPB6-01	7	PT 1/8	10	18.3					14.6	9.6	4				
FPB6-02	9.6	PT 1/4	14	21.6					17	18.4	4				
FPB6-03	9.6	PT 3/8	17	21.7					17	21.6	4				
FPB8-01	8	23.2	14.7	13.6					7	PT 1/8	10	21.5	18	13.6	5.4
FPB8-02									7	PT 1/4	10	21.8	18.6	19.8	5.4
FPB8-03					9.6	PT 3/8	14	22.3	17.2	24.6	5.4				
FPB8-04					9.6	PT 1/2	17	22.7	18.1	38	5.4				
FPB10-01	10	26.8	16	16.7	9.6	PT 1/8	15	22.9	20.7	23.8	5				
FPB10-02					9.6	PT 1/4	15	24.7	19.2	25.4	5				
FPB10-03					9.6	PT 3/8	17	24.7	19.3	30.4	5				
FPB10-04					9.6	PT 1/2	21	27	19.6	42	5				
FPB12-02	12	29.9	19.5	19.6	9.6	PT 1/4	15	27.4	21.3	34	8				
FPB12-03					9.6	PT 3/8	17	27.4	21.4	36	8				
FPB12-04					12	PT 1/2	21	29.4	23.1	47.2	8				

FPD Branch Tee



Metric thread type

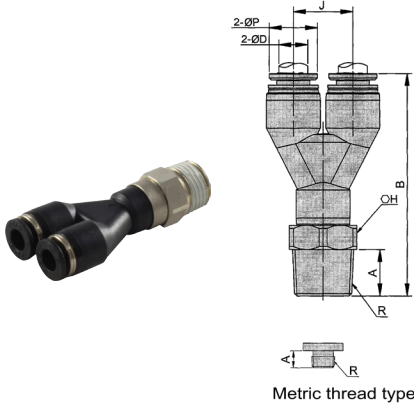
Model	Tube dia. Ø D	E	C	Ø P	A	R	H	B	L	Weight	Orifice				
FPD4-M3	4	15.9	13.2	8	4	M3x0.5	8	16.2	14.2	3.2	1.1				
FPD4-M5					3.3	M5x0.8	8	15.5	13.8	4.8	2				
FPD4-M6					4	M6x1.0	10	16.2	14.2	4.5	2.5				
FPD4-01					7	PT 1/8	10	17.2	13.7	7.6	4				
FPD4-02					9.6	PT 1/4	14	20.2	15.2	16.6	4				
FPD4-03					9.6	PT 3/8	17	20.2	15.2	19.6	4				
FPD6-M5					6	18.1	14.3	10	9.8	M5x0.8	8	16.5	15.7	6.6	2
FPD6-M6	13.9	4	M6x1.0	10					17.5	15.5	5.5	2.5			
FPD6-01	7	PT 1/8	10	18.4					14.4	9.6	4				
FPD6-02	9.6	PT 1/4	14	21.7					16.9	18.2	4				
FPD6-03	9.6	PT 3/8	17	21.2					16.8	22	4				
FPD8-01	8	23.3	15.6	13.6					7	PT 1/8	10	21.4	17.5	14	5
FPD8-02									9.6	PT 1/4	14	22.2	16.5	20	5.4
FPD8-03					9.6	PT 3/8	17	22.1	17.9	24.8	5.4				
FPD8-04					7	PT 1/2	21	22.2	17.8	38.6	5.4				
FPD10-01	10	26.6	17.5	16.7	7	PT 1/8	15	24.7	19.5	24.4	5				
FPD10-02					9.6	PT 1/4	15	24.5	19.6	25.8	8				
FPD10-03					12	PT 3/8	17	27.5	21.3	30.8	9.76				
FPD10-04					12.5	PT 1/2	21	27.5	21.1	42	9.76				
FPD12-02	12	31.4	23.5	19.6	9.6	PT 1/4	15	26.5	21.3	31.6	5				
FPD12-03					9.6	PT 3/8	17	26.5	21.5	36.6	6.5				
FPD12-04					12	PT 1/2	21	26.5	21.7	47.8	6.5				

ADD

Tube Fitting(Black)

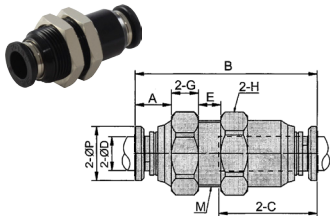
(Unit: m/m)

FPX Branch Y



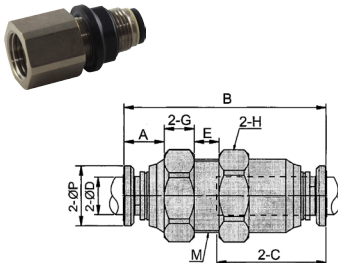
Model	Tube dia. ∅ D	∅ P	A	R	H	B	J	Orifice
FPX4-M5	4	8	3.5	M5x0.8	10	38.2	9.6	2
FPX4-01			7	PT1/8	10	39.9		2
FPX4-02			9.6	PT1/4	14	43		2
FPX6-M5	6	10	3.5	M5x0.8	12	41.2	12.3	2
FPX6-01			7	PT1/8	12	43.4		4.5
FPX6-02			9.6	PT1/4	14	46		4.5
FPX6-03			9.6	PT3/8	17	46		4.5
FPX8-01	8	13.6	7	PT1/8	15	54.8	16	5
FPX8-02			9.6	PT1/4	15	57.4		6.2
FPX8-03			9.6	PT3/8	17	56.4		6.2
FPX10-02	10	16.7	9.6	PT1/4	19	62.9	19.3	8
FPX10-03			9.6	PT3/8	19	62.9		8
FPX10-04			12	PT1/2	21	65.3		8
FPX12-02	12	19.6	9.6	PT1/4	21	73	22.1	8
FPX12-03			9.6	PT3/8	21	73		10
FPX12-04			12	PT1/2	21	74.5		10

FPM Bulkhead Union



Model	Tube dia. ∅ D	M	A	B	∅ P	C	E	H	G	Weight	Orifice
FPM4	4	M10x1.0	8.2	26.9	8	12.4	2.4	10	4	8.8	3
FPM6	6	M12x1.0	9.3	30.3	10	14.6	5.4	14	4	9.4	4.8
FPM8	8	M16x1.0	10.4	39.9	13.6	18.7	9	19	4	18.6	6.8
FPM10	10	M20x1.0	11.8	43.8	16.7	20.6	12	24	5	36.6	8.5
FPM12	12	M22x1.0	12.1	48.9	19.6	23.5	15.9	27	5	48.8	10.5

FPMF Bulkhead Female Straight



Model	Tube dia. ∅ D	A	E	G	B	C	M	H	R	Weight	Orifice
FPMF4-01G	4	8	5.9	4	25.2	12.4	M12x1.0	14	G1/8	18.8	3
FPMF6-01G	6	9	7.8	4	28.8	14.3	M14x1.0	17	G1/8	29.5	4.8
FPMF6-02G		10	7.8		29.8			29			
FPMF8-01G	8	9	9.8	4	31.6	18.3	M16x1.0	17	G1/8	30.8	6.8
FPMF8-02G		10	9.8		32.6			19	G1/4	38.2	
FPMF8-03G		11	9.8		33.6			21	G3/8	51.2	
FPMF10-02G	10	10	11.8	5	36	20.9	M20x1.0	21	G1/4	59	8.5
FPMF10-03G		10	11.8		36			24	G3/8	68	
FPMF12-03G	12	10	13.8	5	38.7	24.3	M22x1.0	24	G3/8	73.1	10.5
FPMF12-04G		14	13.8		42.7			24	G1/2	71.8	

ADD